

## Micro bubble maker machine

User Manual

# *Milky Bubble*

### ● CONTENTS

---

Read before use.....	1
• Checking the parts.....	1
• About picture display.....	2
Installation	
• Part Name.....	3
• Body Installation.....	3
• The length of tube and exposed tube which is made by soft rubber.....	4
• Electric wiring.....	5
• How to connect ground.....	5
• Checking of safety equipment.....	5
Start up	
• Operation.....	6
• Machine halfway running.....	6
• Basic Installation.....	6
Caution.....	7
Precaution in using product.....	8
Maintenance.....	9
Troubleshooting.....	10
Specification	

Distribute by:

**Nippon Ability Co., Ltd.**

## ● About Picture display

The user manual contains pictures of how to use product properly and prevent it from damage to belonging and hazardous to human. The sign show as following. Please read and understand

**Read  
Before  
Using**



**Warning** If you ignore the warning message and use it wrong way, you may be seriously injured or there is possibility of death.



**Caution** If you ignore the caution message and use it wrong way, you may be seriously injured or damage of product.

Thank for your patronage of using our product.

Read  
Before  
Using

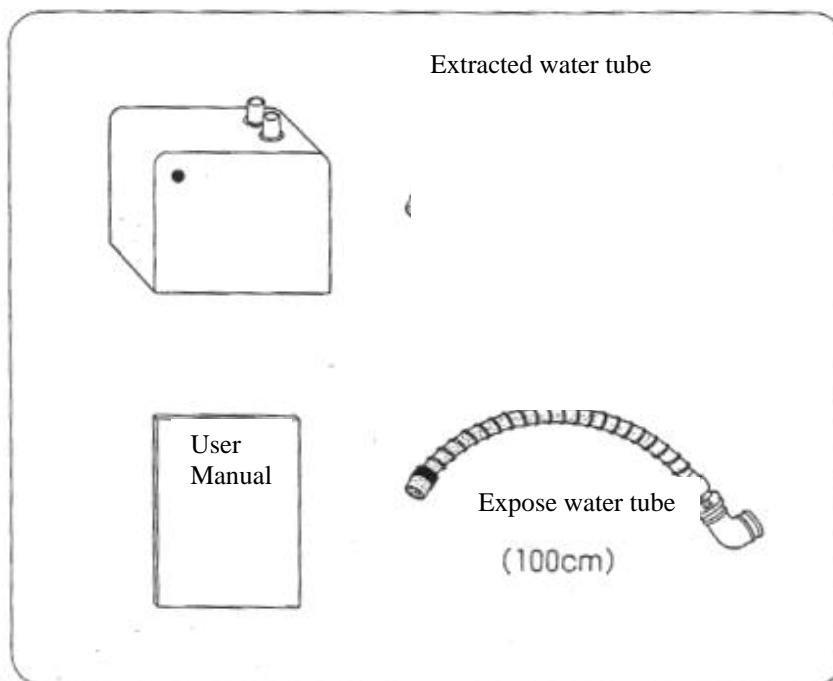
Before using please read carefully and make understanding of instruction and operation.

If using without properly instruction, it may lead to injury and savior accident.

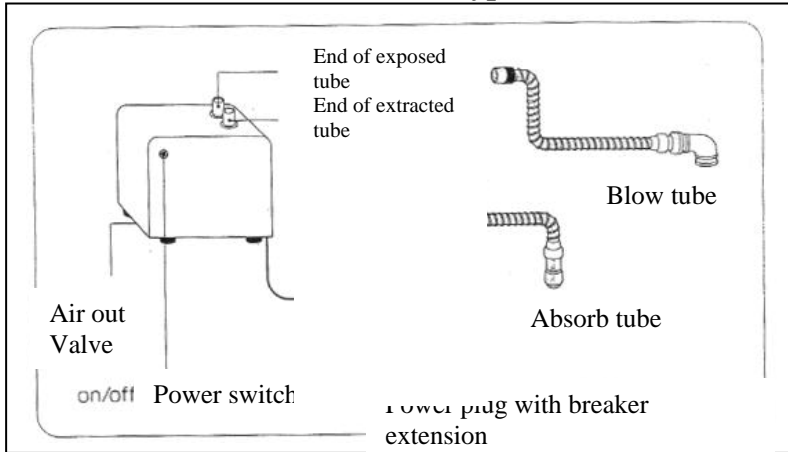
In this topics explain “Caution”, “Installation”, “Instruction” and “Maintenance” etc. in consumer products before using please read through all these topics and make clear understanding.

After reading and make it clear, please keep this manual in visible area in order to read it next time. In case of lost, you can buy it at dealer shop.

### ●Parts checking

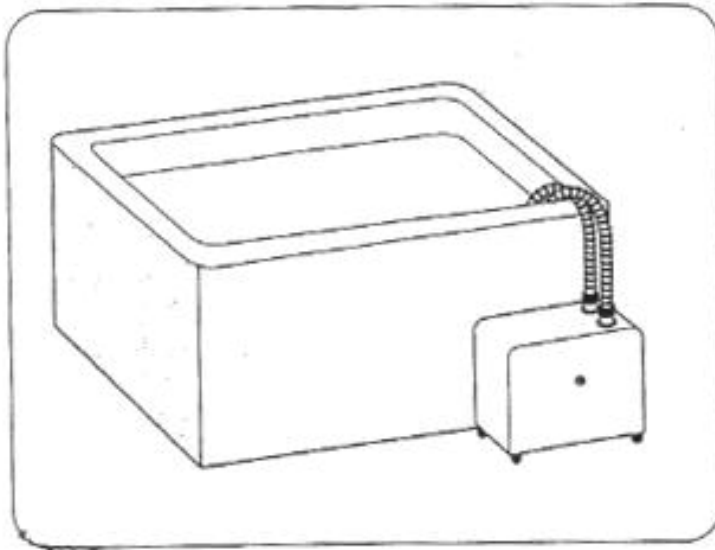


● Part name ( Bathtub installation Type)



● Installation

This machine set to be in bathtub. Please place it on smooth floor. Please avoid slope.



※Tube configuration and installation should be inside the bathroom. In case of setting up outside bathroom, please consult the technician for wiring and tube configure.



### Caution

#### **Don't place any belonging over the top of machine**

In case of leaving some belonging on the machine, it might fall while bathing which is very dangerous  
And In case of leaving some belonging on the top of the machine, it will fall and effect the machine to turn upside down.

#### **●Length of tube and exposed tube which is made from soft rubber**

- Please put extracted tube 70 cm in bathtub
- Exposed tube must be longer or equal to 100 cm. Inserting exposed tube which is made from soft rubber without allergic to the body in bathtub.

- ◎In case of using for pet, please prepare the tub according to pet size.
- ◎In case of particle obstacle block in to extract tube, please use soft brush to clean.
- ◎Water will release surfactant bubble, it will swerve the tube, but it can be brushed off.

**Place  
Installation**

● **Electric Wiring**

Voltage requirement as 100 Volt and power plug should be use inside bathroom

( it normally is inside dress room)

Do not wiring near shower door or the position that will cause the scratching or leave mark on power cord.

● **Ground Configuration**

Adaptor is connected with the breaker to prevent electrical leakage. In using, it should be connect with terminal to cover ground. If the power cord does not have ground connection, please consult technician to set up.

● **Checking of safety equipment**

After finishing, check hot water in bathtub, insert adaptor into socket which is connected to breaker for preventing current leakage. Press the switch and check whether the ground and the terminal are joining.

While operating breaker, the sound will alarm. If the light at the power plug which is connecting with breaker on, it mean normal running.

After finish checking, press the switch plug which attached with breaker.

Before start running machine, please check for these details below.

1. Check the position of the machine. Is it place at stable position? Make sure it is positioning as plain surface. Avoiding slope ground surface.
2. Check switch plug which is connecting to breaker. Is it on stage (Is warning signal at switch plug off?) Check ground connect with ground terminal or not.
3. Are extracted and exposed water tubes properly connecting to the machine? (As indicate at the front panel, the outside is extract water tube and the inside is exposed water tube)
4. **Press switch ON**  
Start machine
5. The great number of Micro bubble size 0.5 m/m – 3 m/m can be visible like white smoke from the end of exposed water tube.

※If the machine is running halfway

**Please press power switch at the machine**

\*Though by not pressing the switch after 16-20 minute, the machine will stop automatically.

\*If machine stop when running 16-20 minute, please “ON” again, machine will re-run at 16th-20th minute.

#### ●Basic Installation

Turn on water 1-2 times into extracted water tube

Hold the tube with both hands and fill the water until full. Then lift the other end, the water will flow into the machine. Use it when water level is higher than the machine.

#### ※Caution

While cleaning inside the machine, the air and water will come out underneath the machine. It is not bad symptom. (If using outside the bathroom, water will leak to the floor, please be careful) After finishing, please take out the tube from the bathtub, otherwise the water from the tub will reverse into the machine. The water inside the bath may recede.

- **This product is not made for bathtub that can be used 24 hours. Then there is no function of temperature storage and filter**
- **While using this machine, if it is allergic to body please stop using and consult the doctor.**
- **Do not pull out the tubes.**
- **Do not put towels or cloths into bathtub while bathing.**
- **While the machine is running, do not lift the extracted tube from water surface otherwise the pump will slightly damage.**
- **Do not bathing with pet.**
- **Use only finger to press the switch.**
- **Do not use with high volume of hot water or continuous heat with this machine.**
- **Please assemble with all accessories before using.**
  - Do not operating the machine while the tubes are not connecting properly. It may cause malfunction and the machine might not work properly and damage.
- **To avoid “changing to high humidity” Should keep the air flow and rotate within the bathroom.**
  - If close the bathroom door for long hours, it may cause smoke and oxidation.
- **The liquid bath can be use.**
- **To accelerate heat and water to the nozzle ( nozzle unit) keep away more or equal to 10 cm.**
  - To accelerate heat and spreading water, keep the water temperature lower than 50 C
  - For hot water (boiled water) higher than 50 C, the nozzle unit will change in shape. If the temperature is higher or equal to 80 C, the shape will be changed

**Any damage is occurred without following the instruction properly. Warranty will not valid. The reparing will be charged according to the damage.**



■ **For Bathing Please use reservoir water**

Any other case, please consult the dealer shop.

■ **In summer, the temperature outside and inside might be very high. It is consequence of the relationship of heat from generator and outside temperature from the environment. (This is not effect the machine)**

**In this case, please keep water in bathtub for few minute. Wait until the temperature decrease. Then start bathing.**

● Be careful to take baht for long hour. Bathing with this will generate heat from ultra violet ray. It feels warmer than normal bathing. Please be careful to use it for long period.

● Do not bathing immediately after dining

Caution  
when  
using



**Children please bathing with Adult**

**Warning**

Be aware this for children (prohibitory) Keep an eye on children while bathing.

- ★ Do not touch the extracted water tube
- ★ Do not contact switch
- ★ Do not shake the machine
- ★ Do not pull out the electric wire.
- ★ This product is not a toy

For children, the bathing distance should be away from the machine.



**Caution**

**While machine is running keep your hand and toe away from extracted water tube.**

While operating, hands, toes or body may soak into tube and cause accident and injury. Please follow these instructions carefully.

- ★ Do not touch extracted water tube while machine is running
- ★ Do not place toes under the extracted water tube while machine is running
- ★ Keep away body from extracted water tube while machine is running
- ★ Do not lift extracted water tube while operating ( or do not move)

Problem solving: If the body is soaking into machine, please stop switch immediately. Press 1 time, it will temporary stop and the operation will be cancel.”



**Do not place the objects that may fall down on top of the machine.**

**Caution**

If place the heavy objects on the machine while bathing, it will be dangerous  
If place on the top of the machine, it will cause machine turnover and very dangerous. Please do not place on top.



**Caution**

**After connecting ground (check at least once a month)**

**Additionally, check normal stage of breaker for prevent current leakage and check other safety apparatus.**

Put power plug into outlet



Press Reset button (in): Current flow



Press testing button (cut): Cut electric current



Press Reset button (in): Current flow



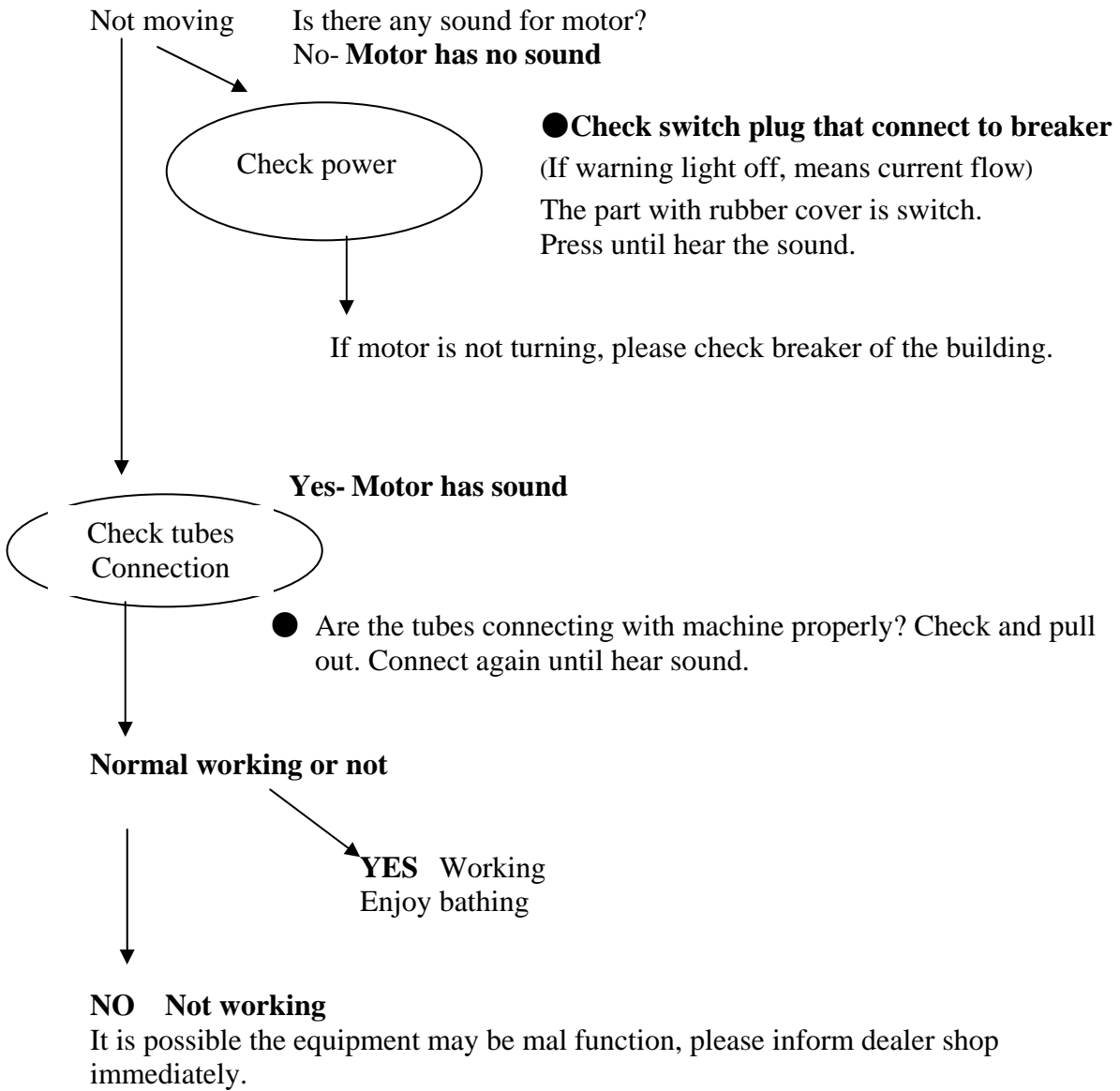
Cut current: OK

**In case of the breaker is not working  
Please inform the dealer shop.**



While running, press the reset button (in) again.

**Trouble Shooting**



**Trouble  
Shooting**



**Caution** **If the plastic part is damage (scratch or broken)  
Please change the parts immediately otherwise it will lead to  
an expect injury.**

If the plastic parts have been damaged (scratch, broken). The part may be split in to sharp shape and when contact with the skin. It may seriously hurt.

Please inform the dealer shop to change the part.



**caution**

**Do not disassemble or modify the product.  
Please use the genuine assemble parts.**

Do not disassemble the products on your own discretion.

Do not modify the parts.

Please use the genuine parts (the apparatus and accessories) for installation, running  
“Accident or injure” occur upon using non-genuine part will not apply for warrantee.



**Warning**

**Use the outlet of power plug that is safety for “Tracking effect”**

The plug that is too loosen or hard or damage may cause tracking effect.

See explaining of “Tracking effect” for reference (Page 12)

**“Please read carefully”**

● **What is tracking effect.....“cause fire” this occur because the current flow between 2 poles of power cord. It exist the path of current.**

Trouble  
Shooting

● **The cause of tracking effect are dust and humidity.**

While leaving the adaptor un attendance in the power outlet. It will expose with dust. The dust will combine with humidity cause “electric conductor” The current will flow through pole (the metal part). If it happen occasionally, the plastic that cover poles (the metal part) will change to carbon. It will cause the current to flow too much and later it will burn the circuit. This will lead to fire.

**Beside this, the waste from inductor or wire connecting is loosen, are the others causes of this effect.**

Not only checking the small electric and large electric appliances but also checking the power outlets or power cords have to be done regularly by electric shop.

Model	AS-K1
Place of installation	within bathroom
Body scale	H290mm x W300mm x D200mm
Weight	15 Kg
Voltage	AC100V
Frequency	50/60 Hz
Power consumption	480/580 W
Bathtub weight container	Bathtub contain maximum volume 350L
Safety equipment	Prevent current leakage
	Stop watch 16 minutes, 20 minutes
	Prevent reverse bias current
Electric Wire	6 mm

Distributor

**Nippon Ability Co., Ltd.**

5-18-9 Shira kanadai, Minato-Ku, Tokyo 108-0071

Name Dealer shop

---